



Primex IAQ Series

Primex IAQ Series Sensors

Take the sweat out of temperature & humidity monitoring to create a safer, more comfortable environment for patients, staff and visitors. Welcome to the next generation of automated monitoring technology. Intelligent sensors feature enhanced Wi-Fi communication and authentication protocols that meet today's stringent IT security policies and completely eliminate the need for manual monitoring and data logging. Paired with cloud-based OneVue Monitoring Software, PrimexIAQ sensors provide assurance that the temperature and humidity levels throughout your facility are kept within range to protect the comfort and safety of patients and staff.

More Functionality in a Sleek New Design

PrimexIAQ sensors take automated indoor air quality monitoring to the next level. The addition of the latest Wi-Fi encryption protocols, secure network connections and flexible logging and reporting options ensure the security and integrity of your data transfers with minimal load on your IT network. Your monitoring data is captured seamlessly with OneVue, allowing you to maintain complete documentation, generate comprehensive reports and meet regulatory compliance requirements. When out-of-range conditions are detected, the sensor issues audible and visual alarms and immediately reports to the OneVue software to initiate an email, text or phone alert to the appropriate person.

PRIMEX IAQ SENSORS	
Battery	Description
A100Q	Temperature/Humidity Sensor

ACCESSORIES	
Part No.	Description
S100PWR	AC Adapter
Q13827	AC Adapter Extension 6' (1.8M)
SNS900	Battery Pack Replacement

Product Features:

- Audible and visual local alarms and email, text and/or phone alerts are initiated as soon as conditions stray out of custom-programmed ranges.
- LCD display shows temp/humidity readings and sensor diagnostics at the device.
- Available with two power options: Battery or AC with back-up batteries to protect data in case of power loss.
- FDA registered, 21 CFR Part 11 compliant.



PrimexIAQ
Series Sensor

PRIMEX IAQ SERIES SENSOR SPECIFICATIONS:

Range and Accuracy

- Ambient Temperature Range: 32°F to 122°F (0°C - 50°C)
- Ambient Temperature Accuracy: $\pm 1.0^\circ\text{F}$ ($\pm 0.5^\circ\text{C}$) between 32°F and 122°F (0°C and 50°C)
- Humidity Range: 0% to 100% RH
- Humidity Accuracy: $\pm 3\%$ RH for range of 20% to 80% RH, $\pm 5\%$ outside of range

Power

- Battery Power: 2 AA 1.5V batteries; use of Energizer® L91 Ultimate Lithium batteries recommended
- Estimated Battery Life: up to 18 months; assuming a 1-hour logging interval, 8-hour reporting interval and adequate wireless signal
- Optional AC-Power: 5V DC USB Mini B (5 pin) connector interface, 5 ft (1.5 m) cable, Input: 100-240 VAC, 50/60 Hz, 0.4A, Output: 5V, 1.0A max

Wireless and Network Communication

- Wireless Networking Protocols: 802.11b, 11g, 2.4 Ghz
- Encryption Protocols: WEP, WPA, WPA2 (AES and TKIP)
- Authentication Protocols: EAP-FAST, EAP-TLS, EAP-TTLS, PEAP-VO-MSCHAP, PEAP-V1-GTC
- Network Communication Protocols: Hypertext Transfer Protocol Secure (HTTPS)
- IP Addressing: Dynamic Host Configuration Protocol (DHCP), static IP addressing
- Data Packet Size: typically less than 5 kilobytes (kB)

Enclosure

- ABS plastic
- Dimension: 4.7" H x 3.7" W x 1.3" D (11.93cm x 9.39cm x 3.30cm)
- Weight: 0.3 lb (136 gram) with 2 AA batteries
- LCD display measures: 0.75" H x 1.38" W (1.90cm x 3.50cm)
- LED Status Indicator: green, yellow, red
- Two User Buttons: Local Alarm Silence Button, and Check-in Button for manual data transmission
- Mounting Options: Keyhole slot with lockdown screw holes in back panel for wall mount; or surface mount with supplied dual-lock adhesive mounting strips

Operation

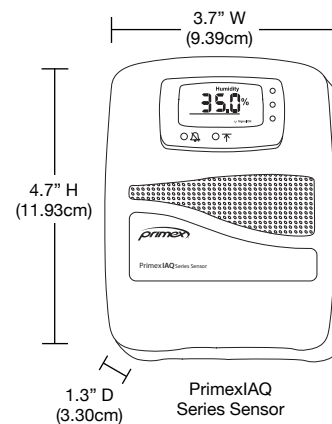
- Alerts: audio, visual LED, LCD display
- Audio Alert Reset Period: user-defined (indefinite, 15min, 30min, 1hr, 2hr, 3hr, 4hr)
- Configuration: Primex Device Configuration software
- Secure Data Wipe: factory reset function
- Stored Reading Capacity: 4096 readings
- User Defined Logging Interval: 4min, 5min, 10min, 15min, 20min, 30min, 1hr, 2hr, 4hr, 8hr, 12hr
- User Defined Reporting Interval: 30min, 1hr, 2hr, 4hr, 8hr, 12hr

Environment

- Operating Temperature: 32°F to 122°F (0°C to 50°C), indoor use only
- Storage Temperature: -4°F to 140°F (-20°C to 60°C)

Certifications

- FDA registered, 21 CFR Part 11 compliant
- FCC, CE, and IC compliant



To Learn More:
Call 800.537.0464
Email: info@primexinc.com

primexinc.com



OneVue is a trademark of Primex. The innovative technology software solution for facility and time synchronization monitoring and reporting. All other trademarks are the property of their respective owners.

©2017 Primex. The Primex logo is a registered trademark of Primex.
All Rights Reserved. 1.17