

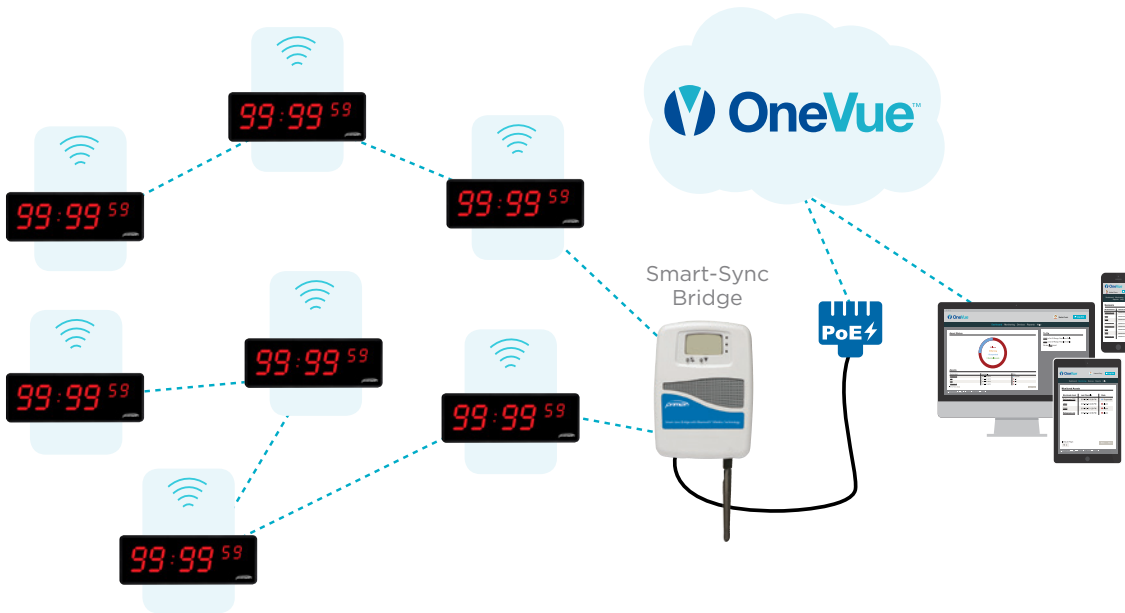


Bluetooth® Wireless Technology

Smart-Sync™

Digital Elapsed Timers

For any customer who requires time synchronization, the Bluetooth® wireless technology solution is an uncomplicated, easy to install, wireless product that continually and automatically recreates its own network. Competitively priced, Smart-Sync™ Digital Elapsed Timers with Bluetooth wireless technology are available solely through Primex, the sync time leader, and our certified partner network.



- Smart-Sync clocks 'wake up' once daily
- Clocks synchronize time via Smart-Sync Bridge
- Clocks form network based on strongest signal to another clock or the Smart-Sync Bridge
- If one clock fails, other clocks will 'find their way home' to the strongest signal
- Smart-Sync Bridge reports clock status to OneVue
- OneVue accessible via PC or mobile devices
- Two-year warranty on Smart-Sync timers

SMART-SYNC SURFACE-MOUNT MODELS WITH 2.5" DIGITS

Part No.	Description
B2007A202E	4° Slope Bracket, 10' (3m) cord with plug
B2007A419E	18° Slope Bracket, 10' (3m) cord with plug

SMART-SYNC SURFACE-MOUNT MODELS WITH 4" DIGITS

Part No.	Description
B2007A203E	4° Slope Bracket, 10' (3m) cord with plug

SMART-SYNC FLUSH-MOUNT MODELS WITH 2.5" DIGITS

Part No.	Description
B2007Y202EF	30" Cord with pigtail

- Add a "G" after the item number for green LED surface or flush mount models

DUAL CLOCK BRACKET KIT

Any two surface-mount digital clocks can be mounted back-to-back to provide greater visibility in hallways and larger areas. Select the correct Dual Clock Bracket Kit for your application below.

DUAL CLOCK BRACKET KIT				
Mount	2", 4-Digit	2", 6-Digit	4", 4-Digit	4", 6-Digit*
Ceiling	24CBRK	26CBRK	4XBRK	4XBRK
Wall	24WBRK	26WBRK	4XBRK	NA

* 4" 6-digit Clock can be ceiling mount only.



Surface-Mount Timer



Flush-Mount Timer



Wall Mount Timer



Ceiling Mount Timer

ABOUT SMART-SYNC DIGITAL CLOCKS & TIMERS

Product Features:

- Display dimmer options: 100%, 75%, 50% and 25%
- Dual Mount Clock Kit combines 2 single clocks
- Surface and flush-mount models
- Available with red or green digits

Digital Clock and Timer Specifications:

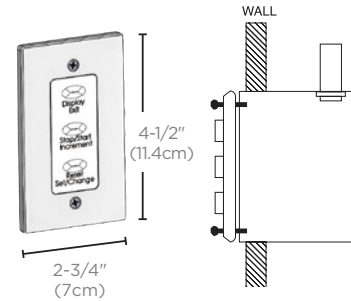
- 7-segment LED digits
- 12- or 24-hour time display
- PM indicator light
- Alternating time and date display option
- Available in 2.5 or 4 inch character options
- Operating temperature range: 32° - 95°F (0°-35°C)
- Storage temperature range: -4° - 158° F (-20° - 70° C)
- Communicates with Smart-Sync Bridge via Bluetooth® low energy wireless technology

Power Supplies

- 120 VAC (100-240)/ 50-60 cycle, 10' (3.0m) cord with plug, UL/cUL listed

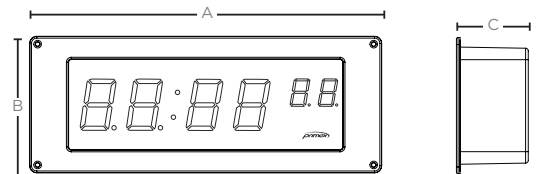
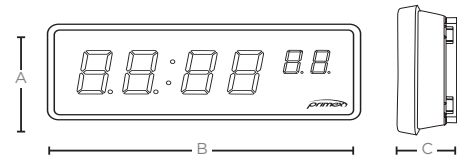
SWITCH CONTROL FOR ELAPSED TIMERS:

- Allows the user to run, hold or reset the Elapsed Timer
- Designed to fit inside a single gang box (not included)
- Membrane switch and wall plate clean easily and resist common cleaners and disinfectants



TIMER DIMENSIONS

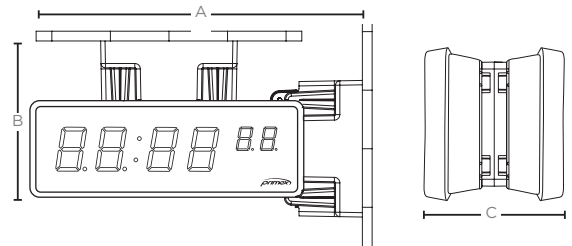
Clock Type	Weight	Height	Width	Depth
		A	B	C
2.5" (6.4cm), 6-digit	2.0 lbs. (0.9 kg)	5.0" (12.7cm)	13.8" (34.9cm)	2.2" (5.6cm)
4" (10.16cm), 6-digit	4.6 lbs. (2.1 kg)	8.0" (20.3cm)	23.3" (59.2cm)	2.4" (6.1cm)



FLUSH-MOUNT TIMER DIMENSIONS

Clock Type	Weight	Width	Height	Depth
		A	B	C
2.5" (6.4cm), 6-digit	2.0 lbs. (0.9 kg)	16.8" (42.7cm)	6.5" (16.5cm)	3.4" (8.6cm)

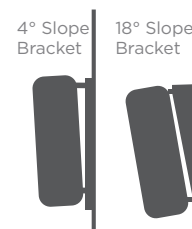
When ordering for new construction projects, the junction boxes for flush-mount installation may be ordered to ship in advance of clocks. Please request special shipping and provide dates when ordering.



DUAL-MOUNT DIMENSIONS

Clock Type	Width from Wall	Height from Ceiling	Depth of Two Clocks
	A	B	C
Dual 2.5" (6.4cm), 6-digit	16.8" (42.7cm)	8.0" (20.3cm)	5.9" (15.0cm)
Dual 4" (10.16cm), 6-digit	26.3" (66.8cm)	11.0" (27.9cm)	6.3" (16.0cm)

Note: Dual mount clocks are shipped disassembled to simplify installation.



To Learn More:

Call 800.537.0464

Email: info@primexinc.com

primexinc.com

The Bluetooth® word mark and logos are registered trademarks owned by the Bluetooth SIG, Inc. and any use of such marks by Primex, Inc. is under license. Other trademarks and trade names are those of their respective owners.

OneVue is a trademark of Primex. The innovative technology software solution for facility and time synchronization monitoring and reporting. All other trademarks are the property of their respective owners.

©2018 Primex. The Primex logo is a registered trademark of Primex.
All Rights Reserved. 9.18