



Wireless Synchronized Time

Wireless Bell and Tone Synchronization

Primex Bell and Tone Synchronization allows you to eliminate the confusion that occurs when bells ring out of sync with the clocks in your facility. Our XR Series solution wirelessly synchronizes the time of analog and digital clocks and timers with the bells and tone generators throughout a facility. Managing multiple bell schedules within a school or an entire district can be quickly and easily accomplished from your PC.

Keeps Schedules on Time

The advanced capabilities of our Event Scheduler Pro software allow you to program multiple schedules to be run on predetermined days. Wireless Data Transceivers allow you to create a schedule from a main workstation and send it wirelessly to a Primex time transmitter. The system integrates with your existing PA or tone system, or it can be configured as a wireless bell system for outdoor event timing.

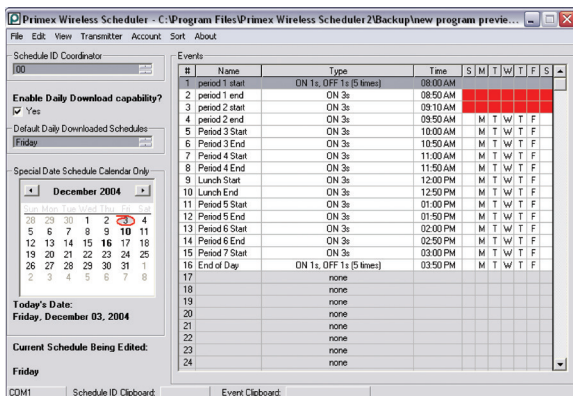
Product Features

- Schedules may be coordinated across multiple district buildings
- Manages up to 25 different zones with up to 96 events per zone
- Event Scheduler Pro software is compatible with Windows Operating Systems

WIRELESS BELL AND TONE SYNC	
Part No.	Description
XRA480	Wireless Tone System: Includes Wireless Tone Generator, Event Scheduler Pro Software, and 2 Wireless Data Transceivers
XRA002	Wireless Tone Generator and Event Scheduler Pro Software
XRA367	Wireless Tone Generator
14486	Bell



Wireless Data Transceiver



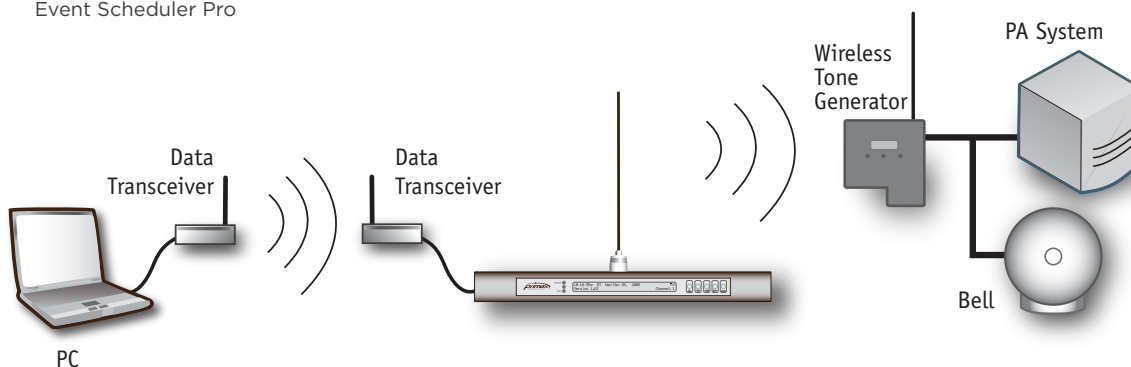
Event Scheduler Pro



Bell



Wireless Tone Generator



PC

WIRELESS TONE GENERATOR AND SCHEDULER TRANSCIVER SPECIFICATIONS:

Tone Generator (refer to Figure 1)

- Dimensions: 7.25"L x 5.5"W x 1.25"D (18.41cm x 13.97cm x 3.18cm)
- Antenna: 11.5" Long (29cm)
- Power supply:
 - Input: 90 ~ 264 VAC, 1.2 Amp, Watt 12
 - Output: 9 VDC 1.6 Amp
 - Cord length 59" (1.5 meter)
- 8 hour memory battery backup
- Dry Contact Output
 - Normally Opened/Normally Closed Relay
 - 240Vac, 4.4A Maximum
- Audio Output
 - Balanced or unbalanced depending on cable utilized
 - Line level with variable output

Scheduler Data Transceivers (refer to Figure 2)

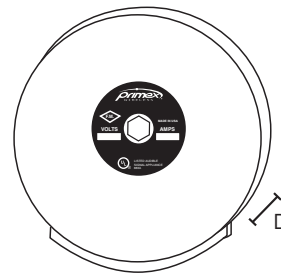
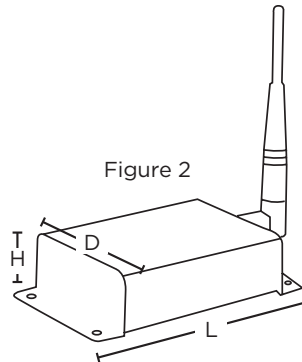
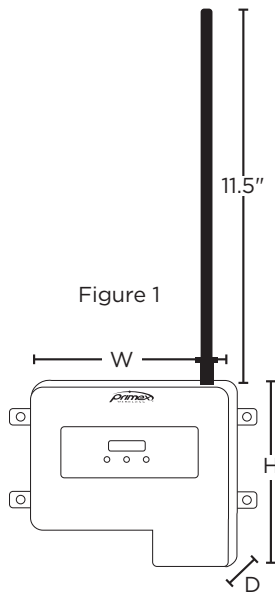
- Dimensions: 4.75"L x 1.25"H x 2.75"D (12.1cm x 3.18cm x 6.99cm)
- Antenna: 7.75" Long (19.69cm)
- 900MHZ frequency
- Power supply: 7.5V, 1.5AMP (6' (1.83m) cord)

Bell (refer to Figure 3)

- Dimensions: 6"L x 6"W x 4.75"D (15.24cm x 15.24cm x 12.07cm)
- (6" (15.24cm) gong)
- Weight: 4 lbs. (1.81kg)
- Power Supply: Input: 120 VAC pig tail
- Current Requirement: 0.09 Amps
- Decibels at 10' (3.05m): 92-94
- Universal backplate included

Event Scheduled Pro Software Operating System Compatibility

- Windows 95, 98, NT, 2000, XP, Vista, Window 7



To Learn More:
Call 800.537.0464
Email: info@primexinc.com

primexinc.com